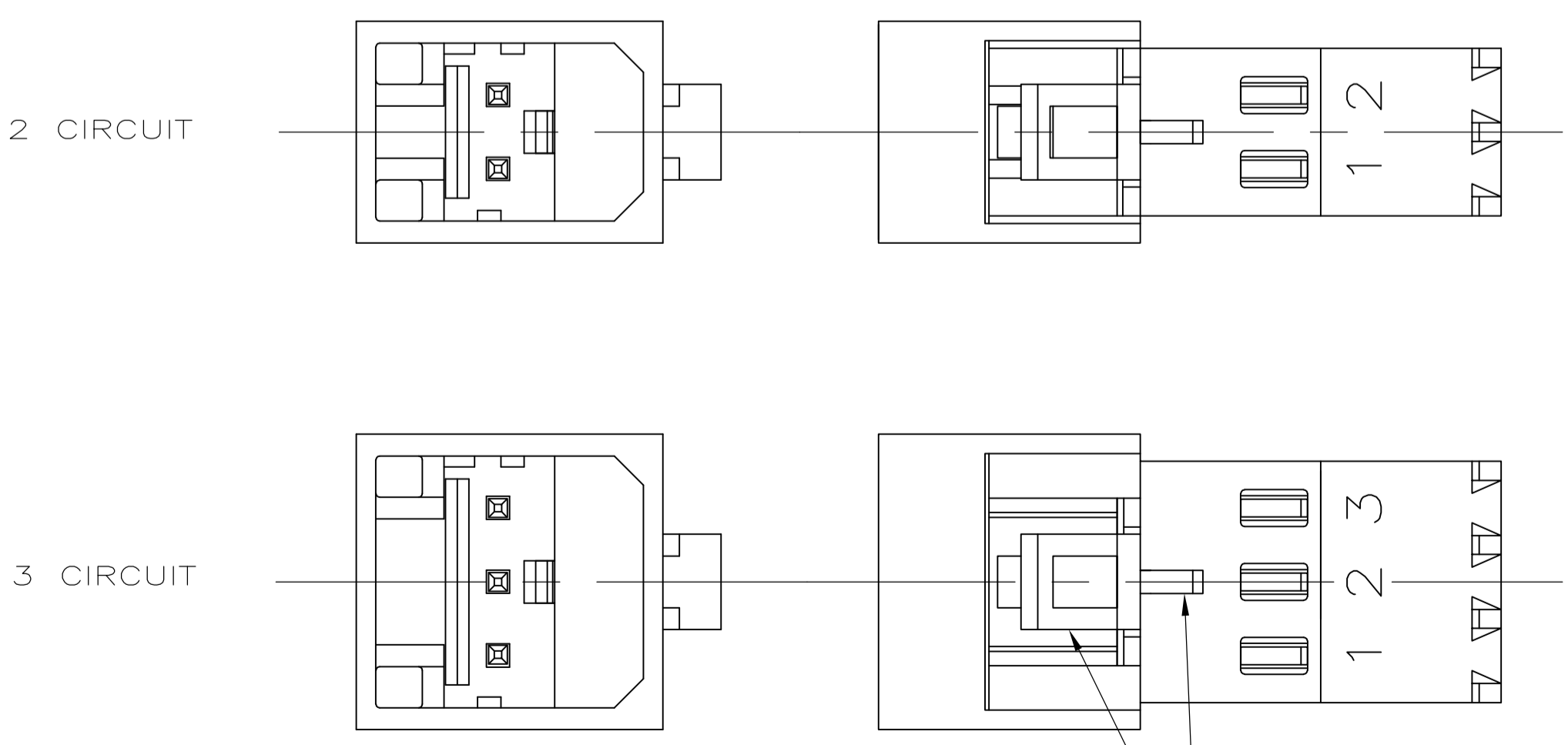
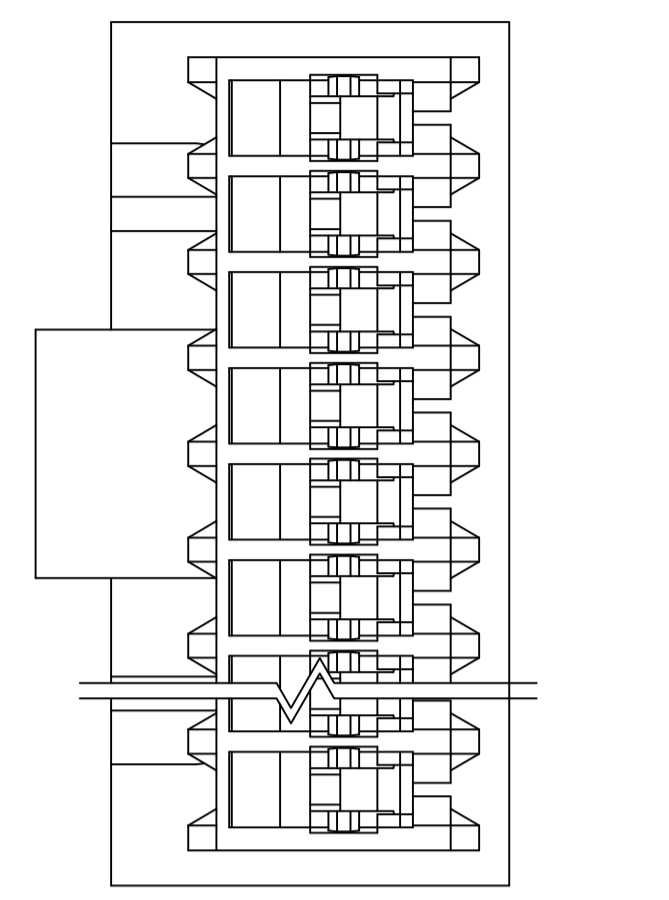
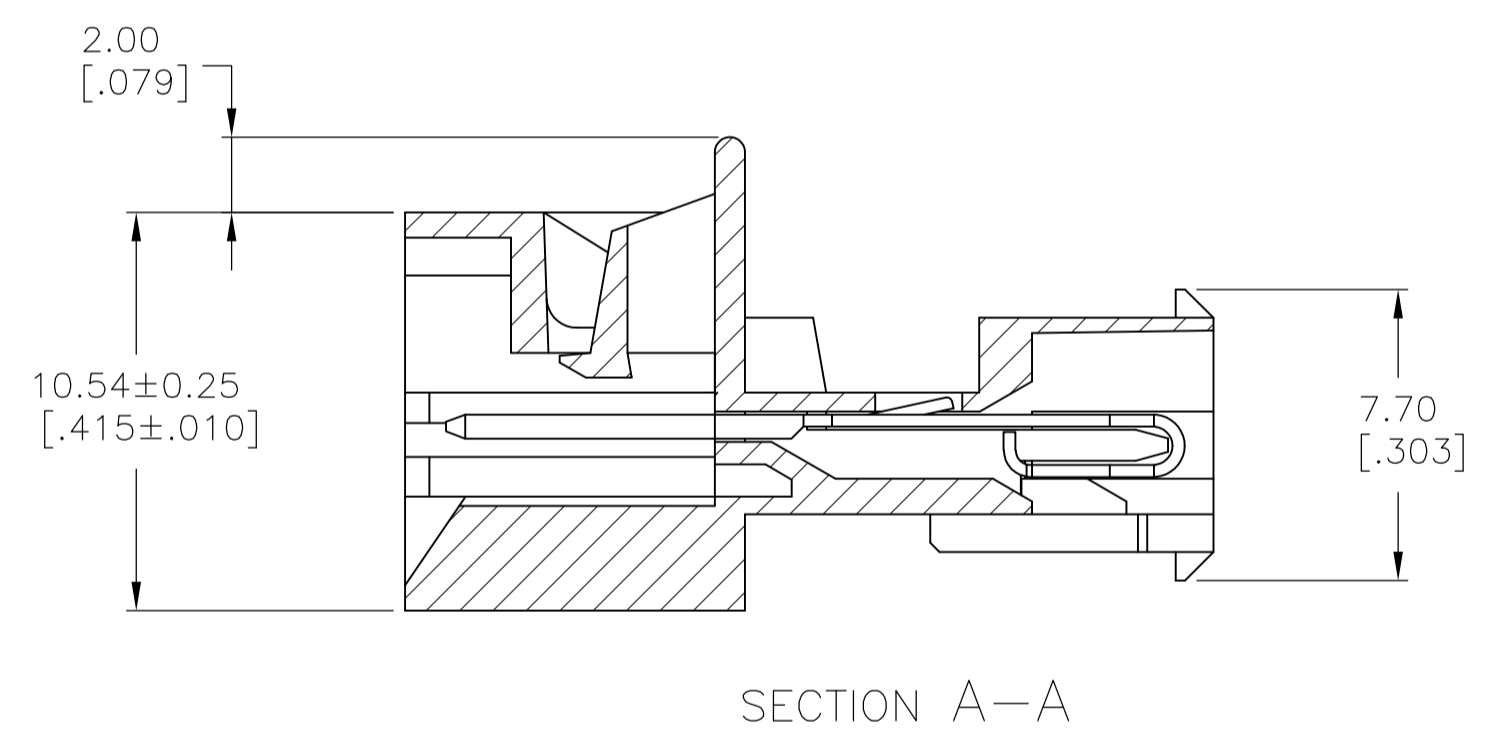
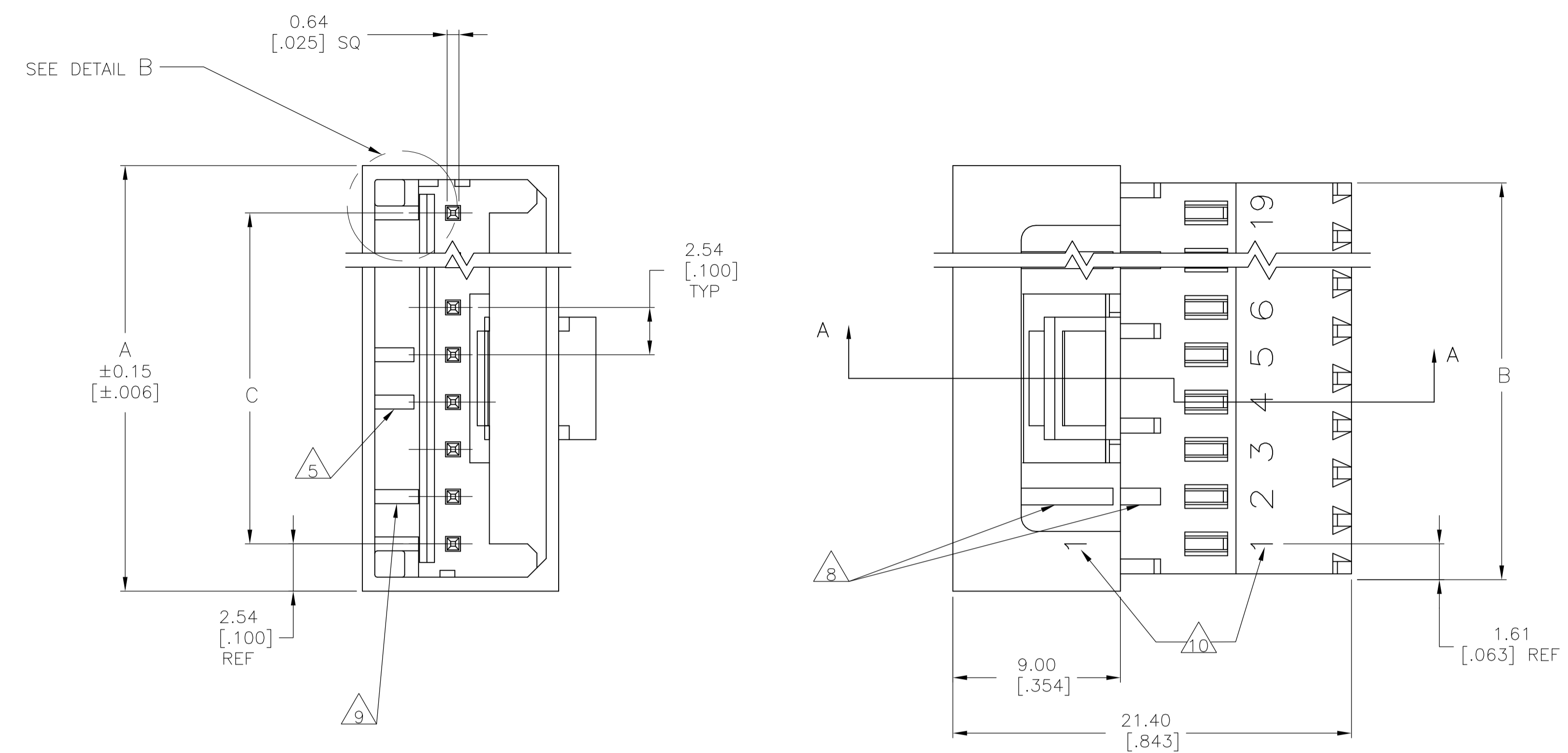


LOC		DIST		REVISIONS			
CM	00	REV	DATE	BY	APP'D	REV	DATE
J1		REVISED PER ECO-08-013568	02JUN08	HMR	DB		



DETAIL B  
 SCALE 10:1  
 ALTERNATE CONFIGURATION

- 1 MATERIAL:  
 HOUSING- NYLON UL94V-2 (RED).  
 CONTACTS- 0.30 [.012] THK COPPER ALLOY  
 DUAL PLATING : GOLD .00038[.000015] MIN THK  
 ONPOST, BRIGHT TIN-LEAD 0.00203[.000080] MIN  
 THK 647016-2 THRU 1-647016-9 OR MATTE TIN  
 0.00203[.000080] MIN THK. FOR 3-647016-2 THRU  
 4-647016-9 ON WIRE SLOT, WITH NICKEL UNDERPLATE  
 .00127[.000050] MIN THK ALL OVER.
- 2 CONTACTS ACCEPT 22 AWG (0.3-0.4 mm<sup>2</sup>) TIN PLATED  
 SOLID, CONCENTRIC FUSED STRANDED, OR  
 CONCENTRIC STRANDED (7 AND 19 STRAND) WIRE  
 WITH 1.52 [.060] MAX INSULATION DIAMETER.
- 3 MATES WITH STANDARD MTA-100 CONNECTORS:  
 OF THE SAME CIRCUIT SIZES  
 WITH SIMILARLY PLATED CONTACTS  
 WITH POLARIZING TABS-CIRCUIT SIZES 4-19 ONLY  
 WITHOUT POLARIZING TABS-CIRCUIT SIZES 2 & 3.  
  
 DOES NOT MATE WITH MTA-100 CONNECTORS:  
 WITH POLARIZING TABS-CIRCUIT SIZES 2 & 3 ONLY.  
 (SEE DETAIL A)  
 WITH BLOCKED CIRCUITS -ALL CIRCUIT SIZES.  
 NOT RECOMMENDED FOR MATING WITH MTA-100  
 CONNECTOR WITHOUT POLARIZING TABS.  
 CIRCUIT SIZES 4-19.
- 4 ACCESSORIES:  
 REPLACEMENT IDC CONTACTS: 647030-2.  
 COVERS: SEE TABLE
- 5 QUANTITY OF CENTRALLY POSITIONED RAILS  
 VARIES WITH CIRCUIT SIZE. (SEE TABLE)  
 LOCATION MAY DIFFER FROM EXAMPLE SHOWN.
- 6 DIMENSIONS IN BRACKETS ARE IN INCHES.
- 7 SIMILAR SIZED LOCK AND SINGLE TAB USED  
 OR CIRCUITS 4 & 5.
- 8 QUANTITY OF GUSSET RIBS VARIES WITH  
 CIRCUIT SIZE (SEE TABLE).  
 LOCATION MAY DIFFER FROM EXAMPLE SHOWN.
- 9 INNER END RAIL PAIR NOT PRESENT FOR  
 CIRCUIT SIZES 2 OR 3.
- 10 CIRCUIT ID MAY APPEAR FULLY NUMBERED OR SHOWING  
 LOCATION 1 ONLY DEPENDING ON CIRCUIT SIZE.

METRIC

THIS DRAWING IS A CONTROLLED DOCUMENT.		DWN J. HUFFMAN 31MAR97	Tyco Electronics Corporation Harrisburg, Pa 17105-3608
DIMENSIONS: mm [INCHES]		CHK R. SWING 31MAR97	
TOLERANCES UNLESS OTHERWISE SPECIFIED:		APP'D R. WILSON 01APR97	NAME MTA-100 POSTED CONNECTOR ASSEMBLY, CLOSED END, 22 AWG, .000015 GOLD
0 PLC ± -	1 PLC ± -	2 PLC ± 0.20 [.007]	PRODUCT SPEC
3 PLC ± -	4 PLC ± -	ANGLES ± -	APPLICATION SPEC
MATERIAL		FINISH	SIZE A1
CUSTOMER DRAWING		SCALE 5:1	SHEET 1 OF 2

QTY OF GUSSET RIBS	QTY OF CENTRAL RAILS	MM	IN	MM	IN	MM	IN	NO. OF CIRCUITS	PART NO
4	2	45.72	1.800	48.95	1.927	50.80	2.000	19	4-647016-9
4	2	43.18	1.700	46.41	1.827	48.26	1.900	18	4-647016-8
4	2	40.64	1.600	43.87	1.727	45.72	1.800	17	4-647016-7
4	2	38.10	1.500	41.33	1.627	43.18	1.700	16	4-647016-6
4	2	35.56	1.400	38.79	1.527	40.64	1.600	15	4-647016-5
4	2	33.02	1.300	36.25	1.427	38.10	1.500	14	4-647016-4
4	2	30.48	1.200	33.71	1.327	35.56	1.400	13	4-647016-3
2	1	27.94	1.100	31.17	1.227	33.02	1.300	12	4-647016-2
2	1	25.40	1.000	28.63	1.127	30.48	1.200	11	4-647016-1
2	1	22.86	.900	26.09	1.027	27.94	1.100	10	4-647016-0
2	1	20.32	.800	23.55	.927	25.40	1.000	9	3-647016-9
2	0	17.78	.700	21.01	.827	22.86	.900	8	3-647016-8
0	0	15.24	.600	18.47	.727	20.32	.800	7	3-647016-7
0	0	12.70	.500	15.93	.627	17.78	.700	6	3-647016-6
0	0	10.16	.400	13.39	.527	15.24	.600	5	3-647016-5
0	0	7.62	.300	10.85	.427	12.70	.500	4	3-647016-4
0	0	5.08	.200	8.31	.327	10.16	.400	3	3-647016-3
0	0	2.54	.100	5.77	.227	7.62	.300	2	3-647016-2
4	2	45.72	1.800	48.95	1.927	50.80	2.000	19	1-647016-9
4	2	43.18	1.700	46.41	1.827	48.26	1.900	18	1-647016-8
4	2	40.64	1.600	43.87	1.727	45.72	1.800	17	1-647016-7
4	2	38.10	1.500	41.33	1.627	43.18	1.700	16	1-647016-6
4	2	35.56	1.400	38.79	1.527	40.64	1.600	15	1-647016-5
4	2	33.02	1.300	36.25	1.427	38.10	1.500	14	1-647016-4
4	2	30.48	1.200	33.71	1.327	35.56	1.400	13	1-647016-3
2	1	27.94	1.100	31.17	1.227	33.02	1.300	12	1-647016-2
2	1	25.40	1.000	28.63	1.127	30.48	1.200	11	1-647016-1
2	1	22.86	.900	26.09	1.027	27.94	1.100	10	1-647016-0
2	1	20.32	.800	23.55	.927	25.40	1.000	9	647016-9
2	0	17.78	.700	21.01	.827	22.86	.900	8	647016-8
0	0	15.24	.600	18.47	.727	20.32	.800	7	647016-7
0	0	12.70	.500	15.93	.627	17.78	.700	6	647016-6
0	0	10.16	.400	13.39	.527	15.24	.600	5	647016-5
0	0	7.62	.300	10.85	.427	12.70	.500	4	647016-4
0	0	5.08	.200	8.31	.327	10.16	.400	3	647016-3
0	0	2.54	.100	5.77	.227	7.62	.300	2	647016-2
DUST COVER	STRAIN RELIEF COVERS								
4	ACCESSORIES								

THIS DRAWING IS A CONTROLLED DOCUMENT. DIMENSIONS: mm [INCHES]. TOLERANCES UNLESS OTHERWISE SPECIFIED: 0 PLC ± .005, 1 PLC ± .005, 2 PLC ± .005, 3 PLC ± .005, 4 PLC ± .005, ANGLES ± .005.

APPROVED: R. WILSON, D1APR97. NAME: R. WILSON. PRODUCT SPEC: MTA-100 POSTED CONNECTOR ASSEMBLY, CLOSED END, 22 AWG, .000015 GOLD. APPLICATION SPEC: -.

SIZE: A1. CAGE CODE: 00779. DRAWING NO: 647016. WEIGHT: -. RESTRICTED TO: -.

TYCO ELECTRONICS CORPORATION, Harrisburg, Pa 17105-3608.

CUSTOMER DRAWING. SCALE: 1:1. SHEET: 2 OF 2. REV: J1.

